



# MILANO TILE

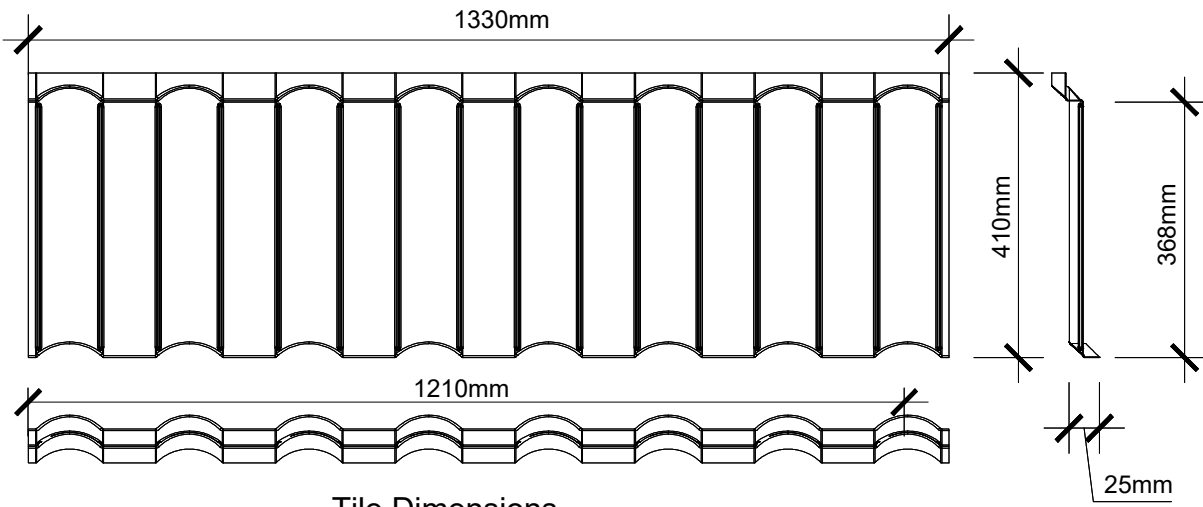
## Product Specification Detail On Battens

Date: 2024

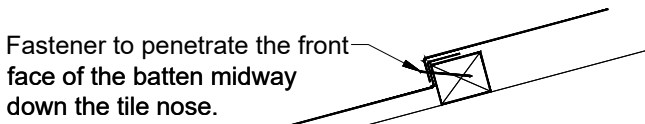
NZ: gerardroofs.co.nz  
customerservice@gerardroofs.co.nz

Code:  
SEMILB\_200A\_PD\_R01\_01\_2024

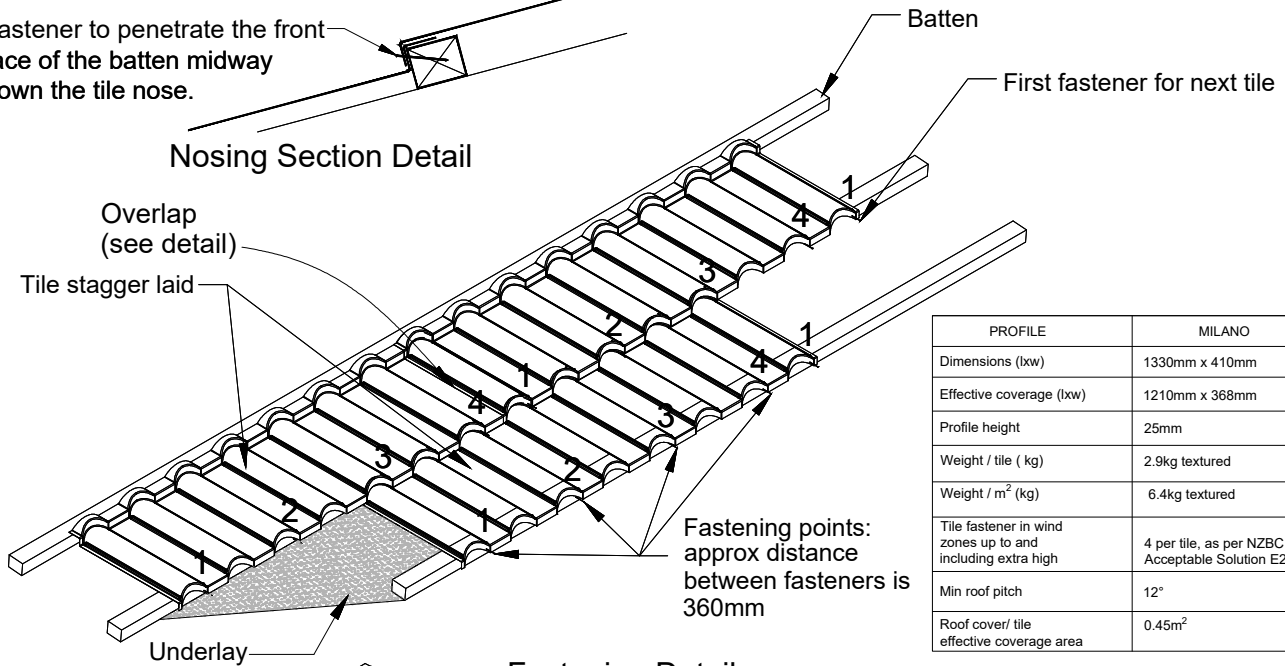
AUS: gerardroofs.com.au  
info@gerardroofs.com.au



Tile Dimensions

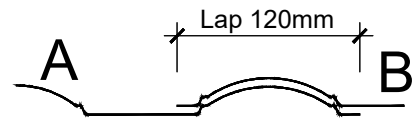
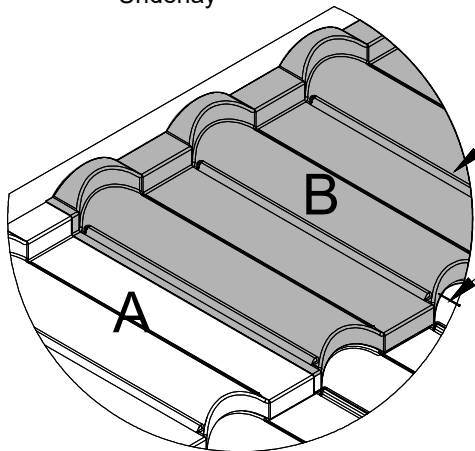


Nosing Section Detail

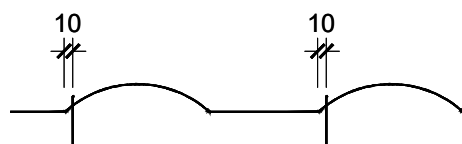


| PROFILE  | MILANO   |
|--|--|
| Dimensions (lxw)   | 1330mm x 410mm                                     |
| Effective coverage (lxw)                                   | 1210mm x 368mm                                     |
| Profile height   | 25mm   |
| Weight / tile ( kg )                                       | 2.9kg textured                                     |
| Weight / m <sup>2</sup> ( kg )                             | 6.4kg textured                                     |
| Tile fastener in wind zones up to and including extra high | 4 per tile, as per NZBC Acceptable Solution E2/AS1 |
| Min roof pitch   | 12°  |
| Roof cover/ tile effective coverage area                   | 0.45m <sup>2</sup>                                 |

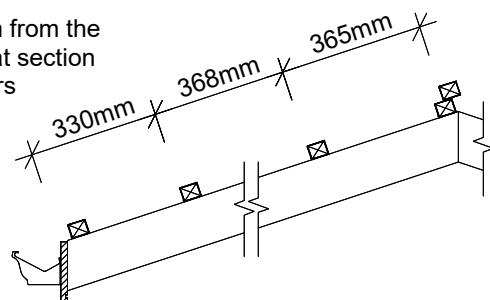
Fastening Detail



Lap Section Detail



Overlap Detail



Batten Layout